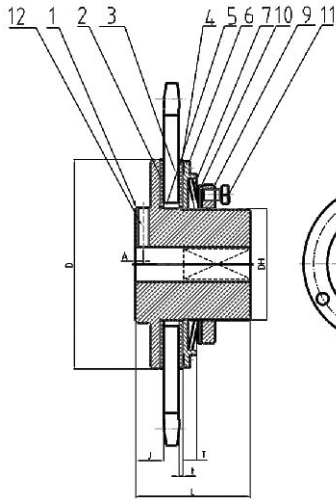
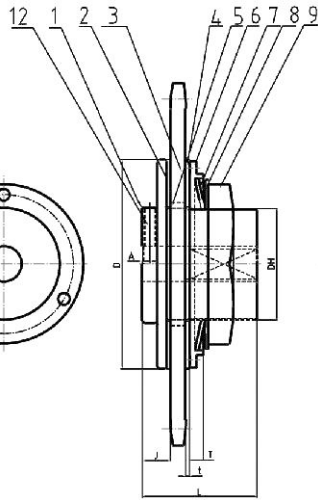


# Torque Limiter

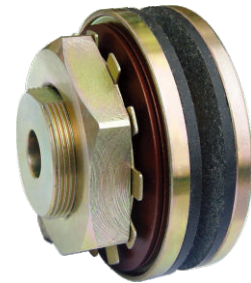


TL-127.TL-178



TL-50.TL-65.TL-89

- 1 HUB
- 2 FRICTION
- 3 SPROCKET
- 4 FRICTION
- 5 BUSH
- 6 FLANGE
- 7 SPRING
- 8 LOCK WASHER
- 9 ADJUST NUT
- 10 WASHER
- 11 ADJUST BOLT
- 12 SETSCREW



Torque Limiter

## DIMENSIONS AND CAPACITY FOR TL50-TL178

TYPE	Torque Range (N.M)	Bore		O.D of Bush	Bush Length	Sprockets Bore	D	DH	L	J	T	t	A	C	Adjust Nut	Adjust Bolt	Set Screw
		Min	Max														
TL 50-1	0.3-1	8	14	30	3.8	30	50	24	29	6.5	2.6	2.5		38	M24X1		
TL 50-2	0.7-2																
TL 65-1	0.7-2.8	10	22	41	4.5	41	65	35	48	16	4.5	3.2	4	50	M35X1.5		M5
TL 65-2	1.4-5.5																
TL 89-1	2.0-7.6	17	26	49	6.5	49	89	42	62	19	4.5	3.2	6	63	M42X1.5		M6
TL 89-2	3.5-15.2																
TL 127-1	4.8-21.4	20	42	74	6.5	74	127	65	76	22	5.7	3.2	7		M65X1.5	M8X1 3pcs	M8
TL 127-2	9.0-42.9																
TL 178-1	11.8-58.1	30	65	106	9.5	106	178	95	98	24	7.7	3.2	8		M95X1.5	M10X1.25 3pcs	M10
TL 178-2	22.8-150																